

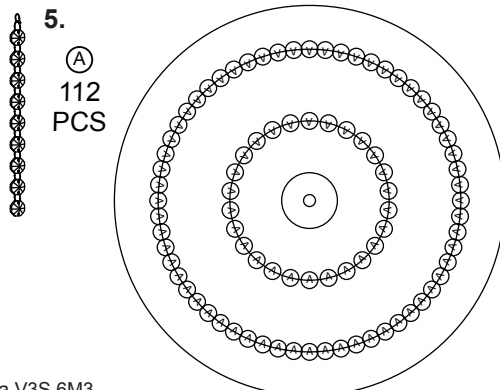
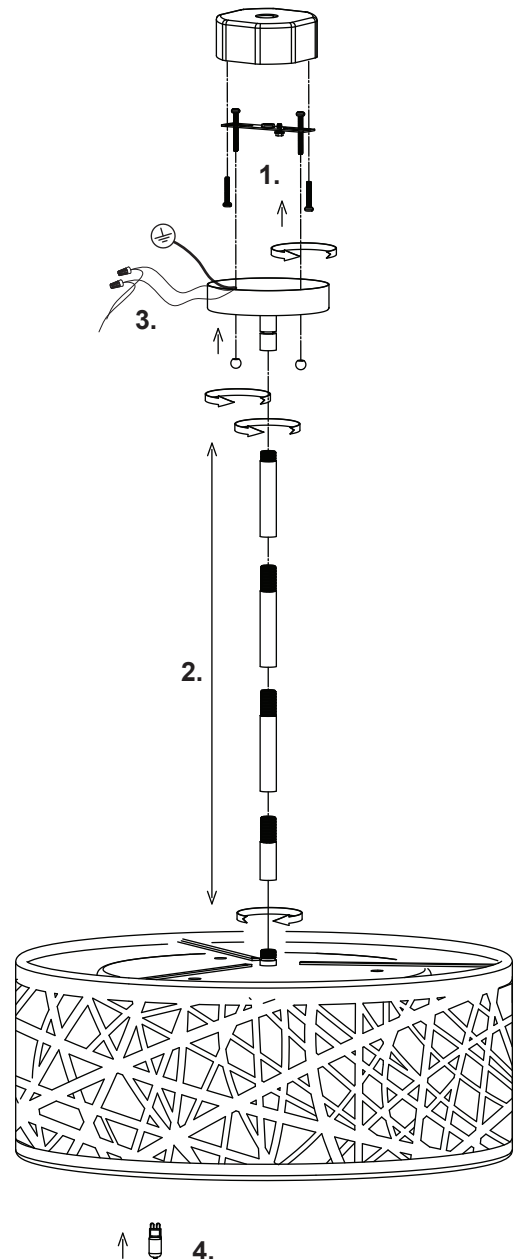
Two lamp pendant

1. Remove the fixture from its original packaging. Remove the canopy mounting plate from within the canopy and attach it to the electrical junction box on the ceiling using the two screws provided in the hardware package.
2. Select the desired length you would like the fixture to hang down from the ceiling (42" maximum). Assemble the 3 – 12" rods and the 1 – 6" rod in a combination that comes closest to your predetermined desired length. Assemble the rods by threading the male end of the rods into the female ends of the connecting rods. When all of the rods are connected make sure to feed the wires through the center of the female end of the connected rods until the wires come out the opposite male end. Then attach the rods to the fixture by screwing the female end of the rods into the male connector on the fixture. Now push the wires through the nipple on the canopy and attach the canopy by screwing the male end of the rods into the female connector on the canopy (do not over tighten).
3. Once your fixture is completely together you can now attach the canopy to the mounting plate, which is attached to the electrical junction box on the ceiling. First attach all wiring with the provided marrets (white to white "N", black to black "L", ground to ground "G"). Align the two holes from the canopy to the two screws pointing down from the mounting plate. Push the screws through the canopy plate so they are poking through, once this is complete you can screw on the decorative nuts until tight.
4. Now that your fixture is installed to the ceiling you can install the G-9 light bulbs of the correct wattage.
5. Install all of the 112 crystal accents to your fixture, starting from the center of the fixture working out to the side. Please see the crystal map below for the correct installation pattern of the crystal accents.
6. You have now completed the installation of your fixture, please enjoy.

START FROM HERE

- Make sure power is completely off at the fuse box.
- Have your fixture installed by a qualified licensed electrician
- Prepare everything in clear area.
- Wear gloves at all times during this installation.
- Read instructions carefully before you start assembly.
- Keep this instruction sheet for future reference.

Technical Support: 1-877-452-6858



KUZCO
LIGHTING

19054 28th Avenue Surrey, BC Canada V3S 6M3
T: 604 538 7162 TF: 1-855 85 KUZCO F: 604 538 7196
W: kuzcolighting.com